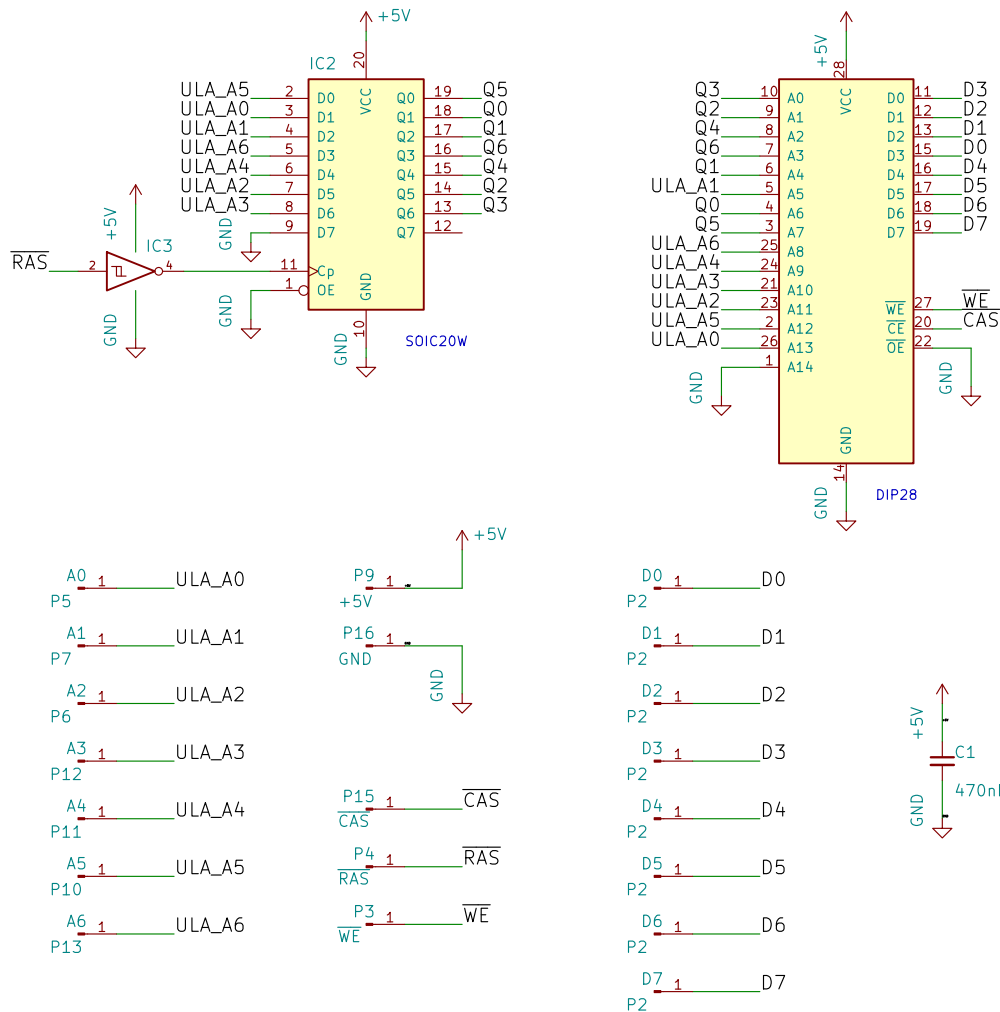


# DRAM 4116 to sram convertor – THT SRAM version

Simplified version published by Alwin Henseler 02/2009 on WoS.  
Similar to <https://worldofspectrum.org/forums/discussion/43682/>

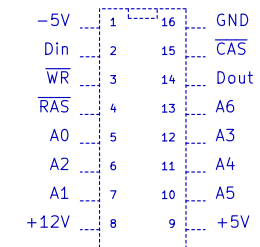


Differences in pinouts RAM 4116/2116		
ZX Spectrum	pin	Didaktik Gama
Vbb (-5V)	1	nc
data	2	data
WR	3	WR
RAS	4	RAS
A0	5	A0
A2	6	A2
A1	7	A1
Vdd (+12V)	8	Vcc (+5V)
Vcc (+5V)	9	Vcc (+5V)
A5	10	A5
A4	11	A4
A3	12	A3
A6	13	A6
data	14	data
CAS	15	CAS
GND	16	GND

All pins 1 are connected together on board of Didaktik Gama 89, but signal isn't connected anywhere else.

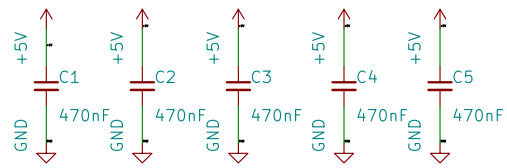
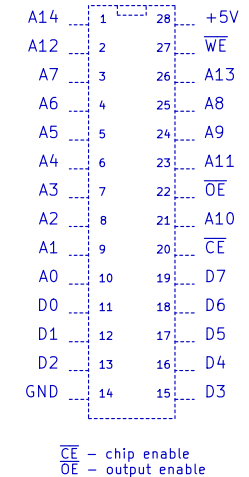
Pin 2 is always connected to the pin 14 and then both are connected to the ULA data pin.

pinout of socket for 4116 in ZX5 48k



- SRAM memory from my pile of recycled chips
- Alliance A57C256-25PC
- Alliance A57C256-20PC
- Winbond W24257AK
- Samsung KM68257BP
- Oclink CL63C256N (datasheet not found, but tested)

pinout SRAM 32kx8



Sheet: /	
File: dram2sram.sch	
<b>Title:</b>	
Size: A4	Date:
KiCad E.D.A. kicad 5.1.2	Rev: 1/1